

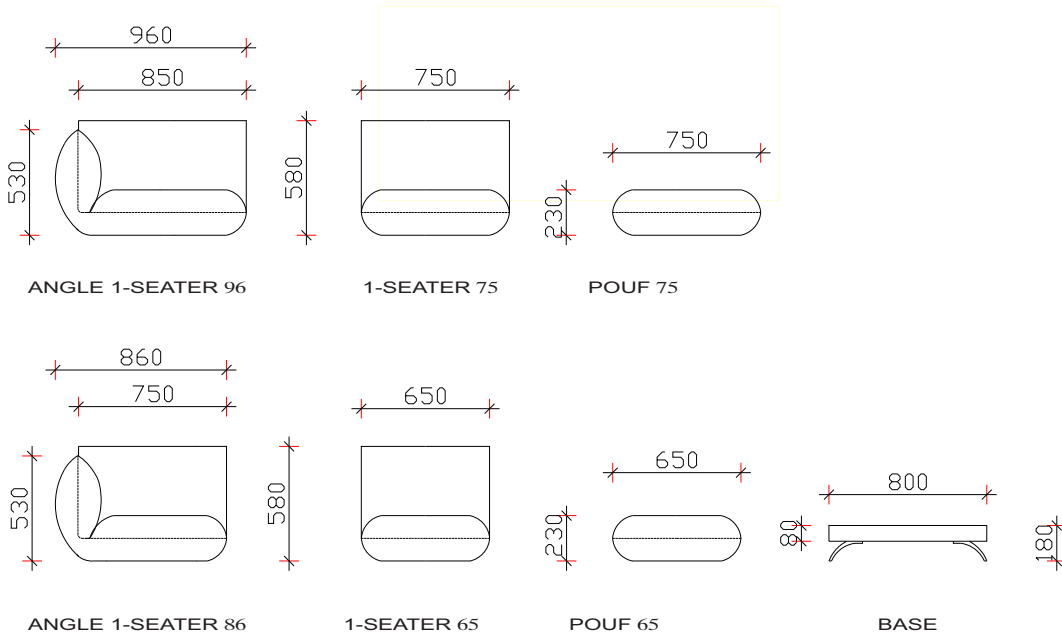
LOTUS

- UPHOLSTERED BASE h=8cm
- SEAT/ BACK IN EXPANDED UNDEFORMABLE H.R. POLYURETHANE
- METAL LEGS SPK 74A-h=10cm

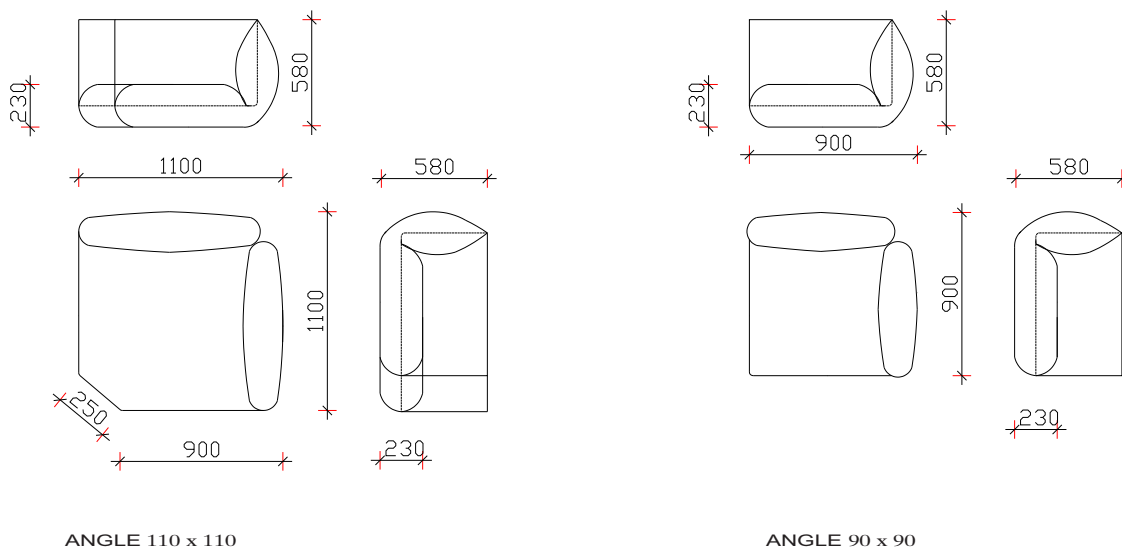
*NOTE: +/- 2cm IS PERMITTED TOLERANCE FROM FINAL UPHOLSTERED MEASURES



BASIC ELEMENTS



ANGLE ELEMENTS



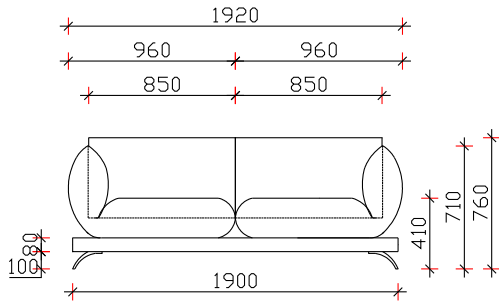
LOTUS

- UPHOLSTERED BASE h=8cm
- SEAT/ BACK IN EXPANDED UNDEFORMABLE H.R. POLYURETHANE
- METAL LEGS SPK 74A-h=10cm

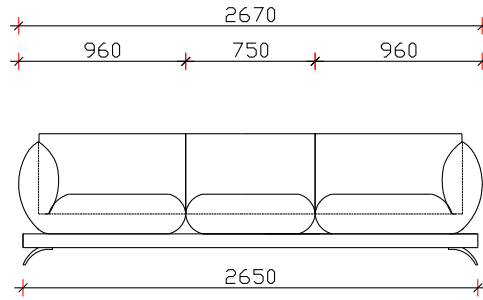
*NOTE: +/- 2cm IS PERMITTED TOLERANCE FROM FINAL UPHOLSTERED MEASURES



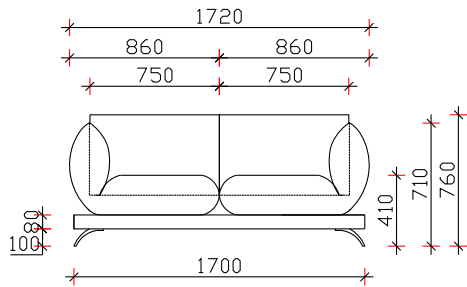
SOFA ELEMENTS



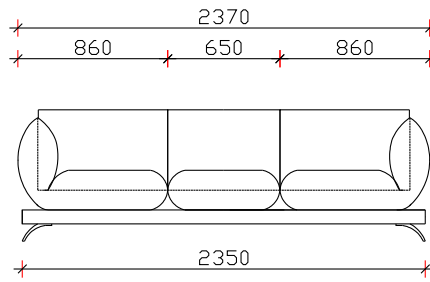
3 SEATER



4 SEATER

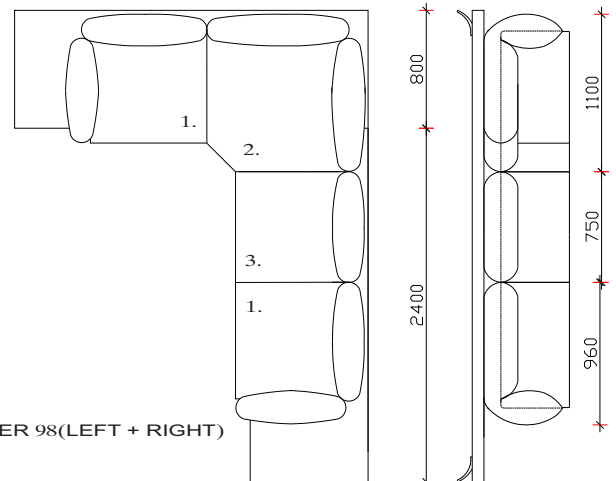
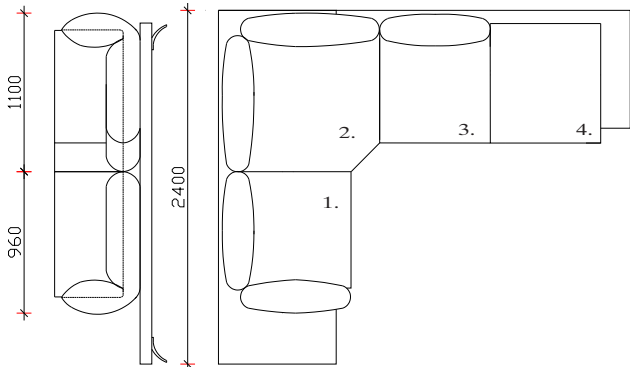
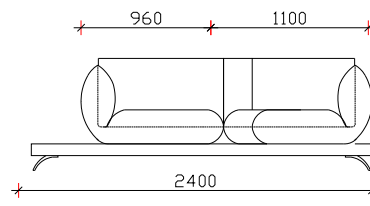
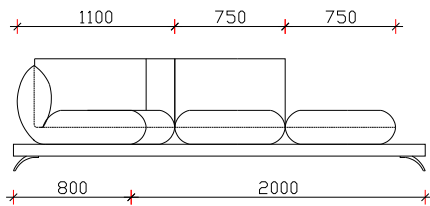


2 SEATER



3 1/2 SEATER

COMBINATIONS



- 1.ANGLE 1-SEATER 96
- 2.ANGLE 110x110
- 3.1-SEATER 75
- 4.POUF 75

- BASE 2400MM
- BASE 2000MM

- 1.ANGLE 1-SEATER 98(LEFT + RIGHT)
- 2.ANGLE 110x110
- 3.1-SEATER 75

- BASE 2400MM x2KOM