

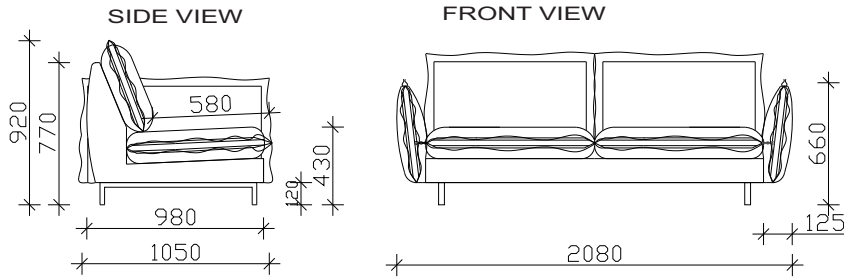
# UPSIDEDOWN

- BACK AND SEATING CUSHIONS ARE WITH 2 FACES ( FABRIC + LEATHER ), WITH SIMPLE ROLLOVER CAN GET SOFA WITH FABRIC OR LEATHER FINISH
- BACK AND SEATING CUSHIONS IN COVER, FILLED UP WITH GROUND POLYURETHANE
- METAL LEGS TYPE SPK 227-h=12cm

\*\*\*NOTICE : ALLOWED UPHOLSTERED DIMENSION +/- 2cm.

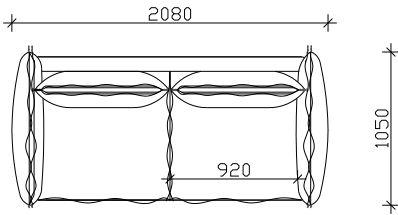


## VIEW

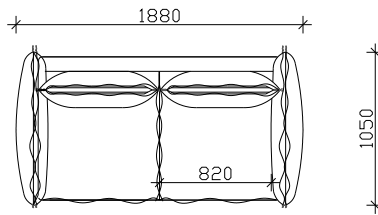


## SOFA ELEMENTS

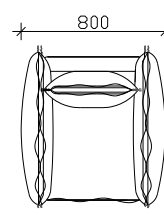
3 SEATER



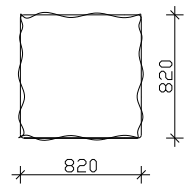
2 SEATER



ARMCHAIR

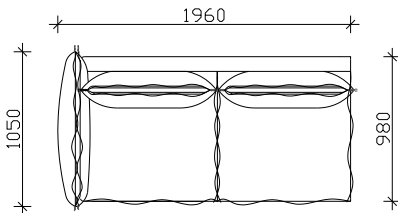


POUF

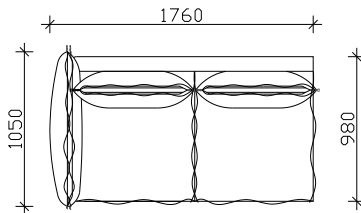


## ANGLE ELEMENTS

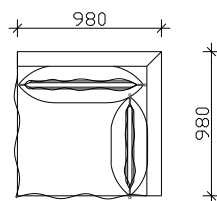
ANGLE 3 SEATER



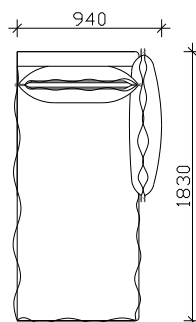
ANGLE 2 SEATER



ANGLE



RELAX



# UPSIDEDOWN

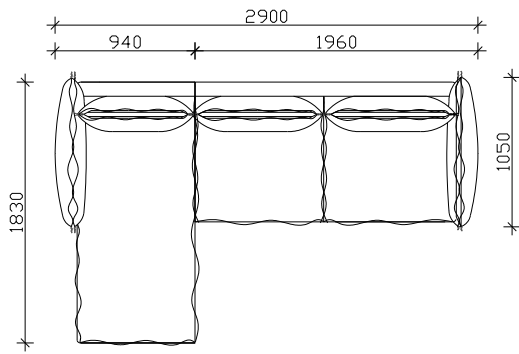
- BACK AND SEATING CUSHIONS ARE WITH 2 FACES ( FABRIC + LEATHER ), WITH SIMPLE ROLLOVER CAN GET SOFA WITH FABRIC OR LEATHER FINISH
- BACK AND SEATING CUSHIONS IN COVER, FILLED UP WITH GROUND POLYURETHANE
- METAL LEGS TYPE SPK 227-h=12cm

\*\*\*NOTICE : ALLOWED UPHOLSTERED DIMENSION +/- 2cm.



## COMBINATIONS

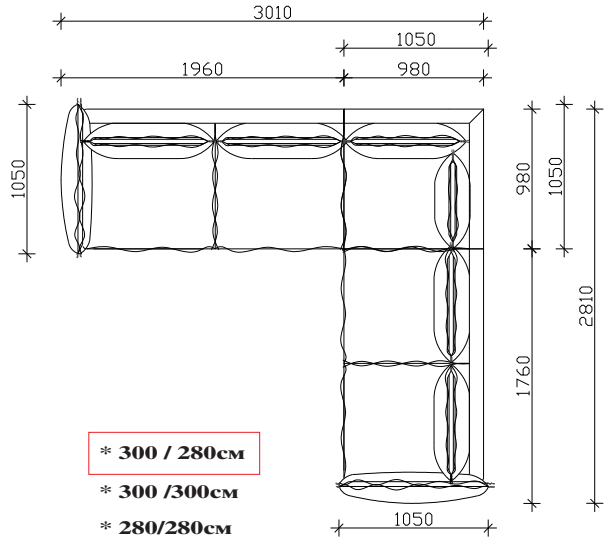
ANGLE 3 SEATER RELAX



\* 290 / 183cm

\* 270 / 183cm

ANGLE 3 + ANGLE + ANGLE 2 SEATER



\* 300 / 280cm

\* 300 / 300cm

\* 280 / 280cm